

model 202

Manufactured in the UK by Transvend Ltd 01438 743838
www.transvend.co.uk

12vdc IN LINE WATER HEATER FOR VEHICLES

Features of the Heater

- Easy to install
- Fast heat up time (25 mins)
- Temperature adjustable, can be used for hand washing or drinks.
- Boil dry protection
- Overheat protection
- In built heavy duty Bosch relay
- Water Drain facility
- Indicator lights to show power on & heating
- Alternator / ignition sensed (no flat batteries)
- High capacity 2.5 Litres stainless steel tank
- Easy plumbing connections, takes 15mm fittings
- Well insulated tank retains heat
- The unit should only be installed in Open Systems i.e. not pressurised
- Meets latest EU Directives and carries the CE mark
- Easy lift lid for maintenance and servicing
- Hygienic and safe to use
- Robust construction no plastic tanks to split
- Easy to transfer between vehicles

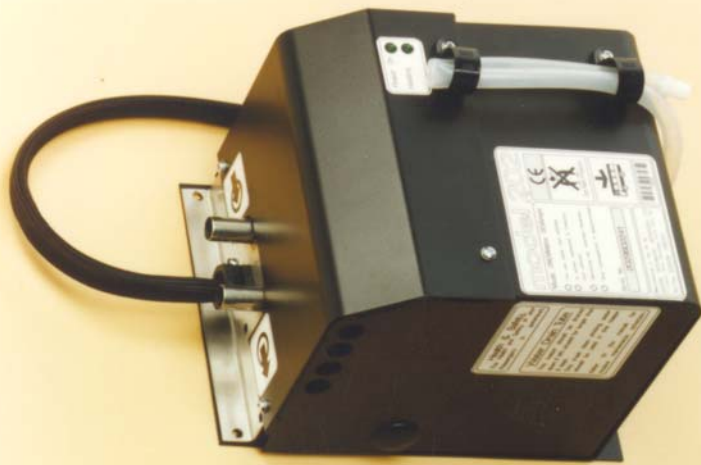
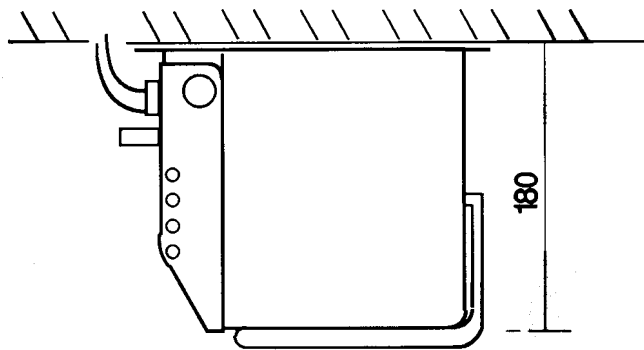
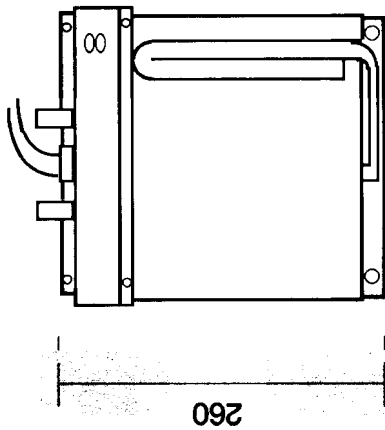
Weight empty 7 Kg

Voltage 14vdc 29 amps 400 Watts



Cold Water in

Hot Water out



Supplied by